



EQUIPMENT SUPPLY COMPANY



**INSTRUCTION MANUAL
FORKLIFT STYLE JACK STANDS – 13 TONS
PER PAIR
ESCO #10436**



COPYRIGHT © 2020 EQUIPMENT SUPPLY CO., ALL RIGHTS RESERVED

Thank you for choosing ESCO tire service tools and equipment. We suggest you read this instruction manual thoroughly before using the product. Save this instruction manual for future use.

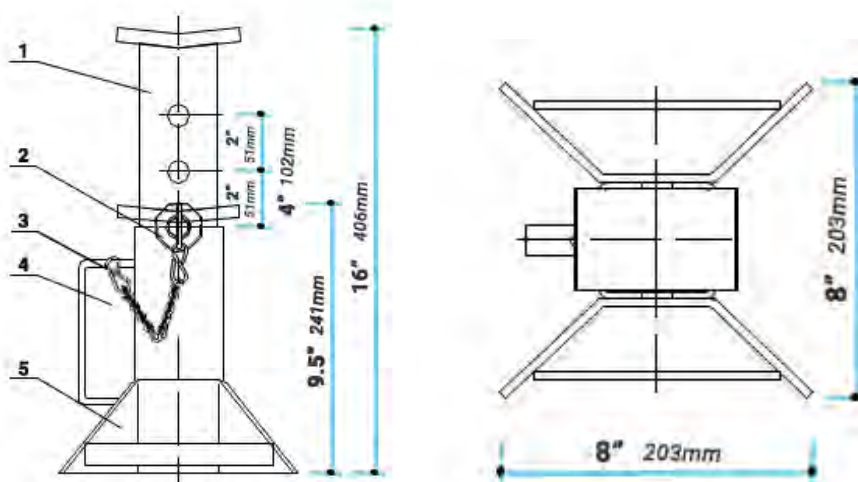
INTRODUCTION

Warning: User **MUST** first read and understand this manual. For proper operation, Jack Stands **MUST BE USED IN PAIRS**. Rating capacity is per pair only. Failure to comply could result in death, bodily injury and/or damage to equipment.

ESCO Forklift Style Jack Stands Model No. 10436 are used to support load after lifting the goods or equipment. Forklift Style Jack Stands Model No. 10436 are engineered to be compatible for use with all forklifts. To prevent the risk of damage to the equipment and to improve the safety of the equipment.

SPECIFICATIONS

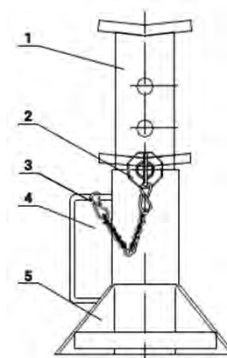
Model	10436
Max. Weight Capacity	13 US TONS (PER PAIR) 10,886 KG (PER PAIR)
Min. Height	9.5 in (241mm)
Max. Height	16 in (406mm)
Hole Distance	2 x 2 in (51mm)
Net weight	28 lbs. / 13 kg
Dimensions	8.5 in x 8.5 in x 9.5 in 216 mm x 216 mm x 242mm



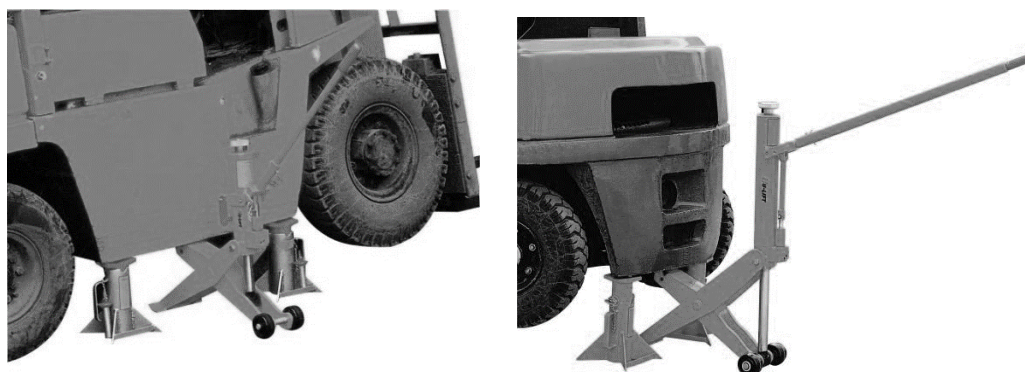
Thank you for choosing ESCO tire service tools and equipment. We suggest you read this instruction manual thoroughly before using the product. Save this instruction manual for future use.

PARTS BREAKDOWN

ITEM NO.	DESCRIPTION	ITEM NO.	DESCRIPTION
1	Head component	4	Chain
2	Pin component	5	Base component
3	Chain hook		



GENERAL SAFETY RULES AND OPERATION



WARNING:

- Inspect the equipment carefully before each use.
- Use only on level surface. Applications of jack stands on uneven grade may result in injury, death, or damage to equipment.
- Support only on areas of the vehicle as specified by the equipment manufacturer.
- Always adhere to recommended weight capacity. Overload is prohibited.
- Do not modify the jack stands in any way. Unauthorized modification may impair the function and/or safety and could affect the life of the equipment.
- The use of partial load is prohibited.

Thank you for choosing ESCO tire service tools and equipment. We suggest you read this instruction manual thoroughly before using the product. Save this instruction manual for future use.



EQUIPMENT SUPPLY COMPANY

The Proper Tools To Keep Your Equipment **MOVING**



Scan this Code to Go to
the ESCO website

WWW.ESCO.NET

CONTACT INFO:

www.esco.net - info@esco.net

15270 Flight Path Drive

Brooksville, FL 34604

PH. 352.754.1117

Toll Free. 1.800.352.9852 (US, Canada Only) Fax: 352.754.4508



WARNING: Cancer and Reproductive Harm- www.P65Warnings.ca.gov

Stay Connected with ESCO....



COPYRIGHT © 2020 EQUIPMENT SUPPLY CO., ALL RIGHTS RESERVED

Thank you for choosing ESCO tire service tools and equipment. We suggest you read this instruction manual thoroughly before using the product. Save this instruction manual for future use.